



BLACKSMITH®

Precision In Every Task

An ISO 9001-2015 Certified Company

A New Era of Hardness...



High Working Hardness

Excellent Toughness

Long Life

Mfg. By :
BLACKSMITH INDIA
Ahmedabad, Gujarat, INDIA.



☎ 98 98 906 906

✉ : blacksmith.rk@yahoo.com
🌐 : www.blacksmithindia.com



Elevate Your Diamond Polishing Experience with Our Premium HSS Claw - Unrivalled Quality Since 1992.

BLACKSMITH INDIA is a global leader in the manufacturing of HSS (High Speed Steel) Claw Specifically for diamond polishing tools industry since 1992. Over the past three decades, we have been committed to delivering unparalleled quality and innovation in every facet of our products.

At BLACKSMITH INDIA, we understand the intricate artistry involved in diamond polishing Industry, and we take immense pride in offering tools that not only meet but exceed industry standards. Our unwavering dedication to excellence has made us a trusted choice among professionals and businesses worldwide.

Here's why BLACKSMITH INDIA stands out in the diamond polishing tools market :

- 1. Unmatched Quality :** Our tools are crafted using state-of-the-art technology and the finest materials, ensuring durability and precision in every use. Experience the confidence that comes with superior quality.
- 2. Expertise Since 1992 :** With over 30 years of experience, we have honed our craft and perfected our products. Benefit from the extensive knowledge and expertise embedded in each tool we offer.
- 3. Innovation :** We stay at the forefront of technological advancements, continuously innovating our HSS Claws to address the evolving needs of the diamond polishing industry.
- 4. Precision Engineering :** Each HSS Claw is a testament to our commitment to precision engineering. Designed to optimize the diamond polishing experience, our claws deliver unparalleled results, making them the go-to choice for professionals worldwide
- 5. High-Grade Materials :** We understand the critical role that material quality plays in the diamond polishing process. Our HSS Claws are manufactured using only the highest-grade materials, providing longevity and reliability that stands the test of time.
- 6. Global Presence :** Our HSS Claws are trusted and used by professionals across the globe. Join a community of satisfied customers who rely on BLACKSMITH INDIA for top-tier diamond polishing tools.

Whether you are a seasoned professional or a newcomer to the diamond industry, BLACKSMITH INDIA is your reliable partner for top-tier polishing tools.

To explore our extensive range of diamond polishing tools and experience the BLACKSMITH INDIA difference, please visit our website : www.blacksmithindia.com



BLACKSMITH
Precision In Every Task

An ISO 9001-2015 Certified Company

INFRASTRUCTURE



Our Company is in 4800 Sq Ft Carpet Area



Hardness Tester



Laser Cutting Machine (1500 x 3000 mm)



Mitutoyo Calibration Instrument



LMW CNC Machines



Prayosha Surface Grinding Machines
(300 x 750 mm)

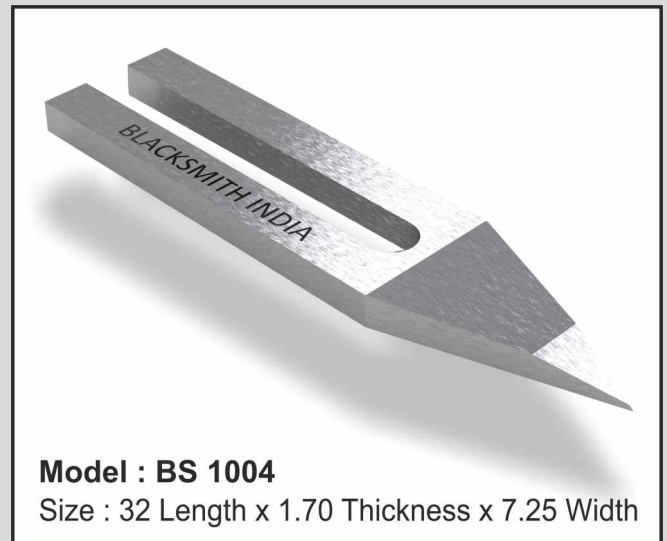


Pinnacle Surface Grinding Machines
(300 x 750 mm)



Model : BS 1001

Size : 28.80 Length x 1.10 Thickness x 7.10 Width



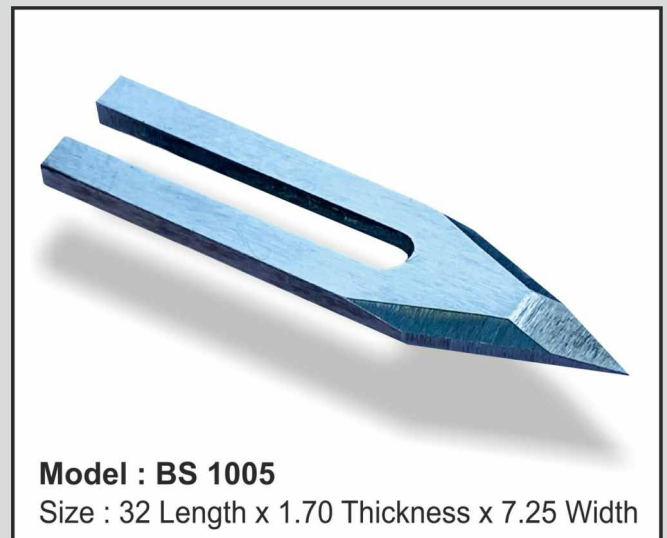
Model : BS 1004

Size : 32 Length x 1.70 Thickness x 7.25 Width



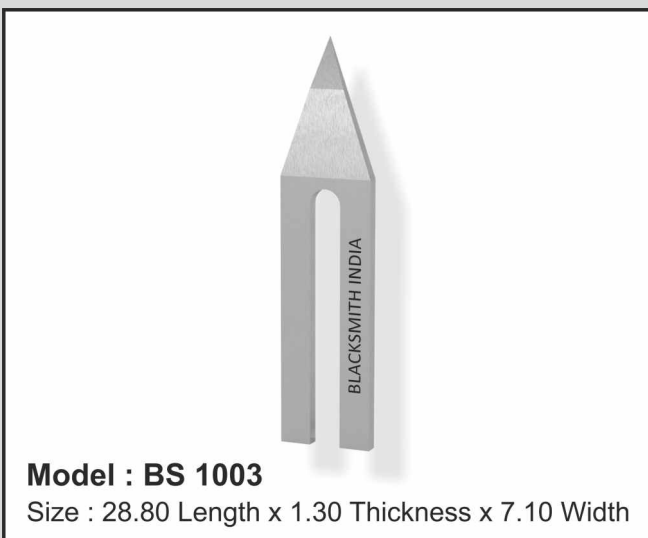
Model : BS 1002

Size : 28.80 Length x 1.30 Thickness x 7.10 Width



Model : BS 1005

Size : 32 Length x 1.70 Thickness x 7.25 Width



Model : BS 1003

Size : 28.80 Length x 1.30 Thickness x 7.10 Width



Model : BS 1006

Size : 32 Length x 1.30 Thickness x 7.25 Width



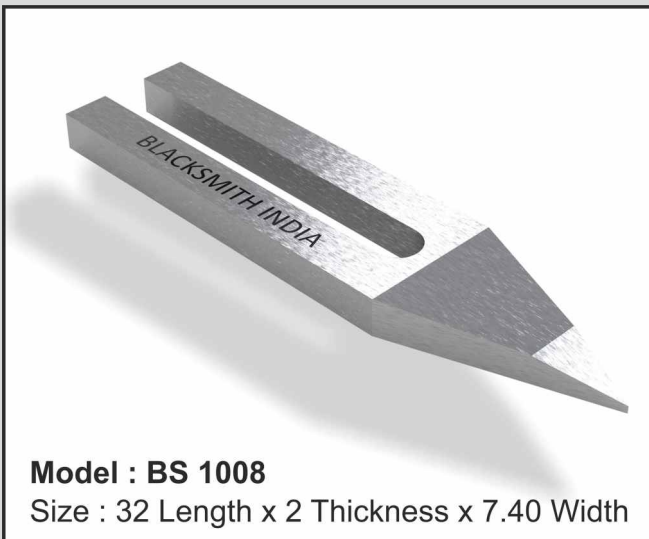
Model : BS 1007

Size : 32 Length x 1.30 Thickness x 7.25 Width



Model : BS 1010

Size : 32 Length x 2 Thickness x 7.25 Width



Model : BS 1008

Size : 32 Length x 2 Thickness x 7.40 Width



Model : BS 1011

Size : 32 Length x 2 Thickness x 7.25 Width



Model : BS 1009

Size : 32 Length x 2 Thickness x 7.25 Width



Model : BS 1012

Size : 32 Length x 1.30 Thickness x 7.25 Width



Model : BS 1013

Size : 32 Length x 2 Thickness x 7.25 Width



Model : BS 1016

Size : 32 Length x 1.30 Thickness x 7.25 Width



Model : BS 1014

Size : 32 Length x 1.30 Thickness x 7.25 Width



Model : BS 1017

Size : 40 Length x 2.20 Thickness x 7.30 Width



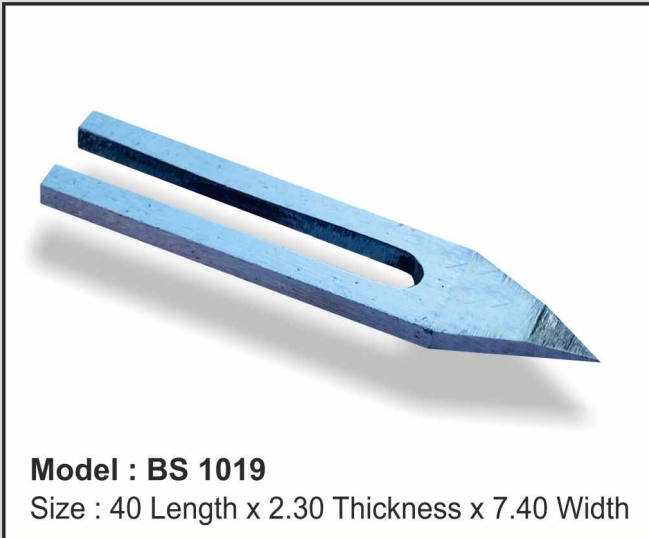
Model : BS 1015

Size : 32 Length x 2 Thickness x 7.25 Width



Model : BS 1018

Size : 40 Length x 2.25 Thickness x 7.30 Width



Model : BS 1019
Size : 40 Length x 2.30 Thickness x 7.40 Width



Model : BS 1022
Size : 32 Length x 2 Thickness x 7.25 Width



Model : BS 1020
Size : 32 Length x 2 Thickness x 7.25 Width



Model : BS 1023
Size : 32 Length x 1.30 Thickness x 7.25 Width



Model : BS 1021
Size : 35 Length x 2.25 Thickness x 7.25 Width



Model : BS 1024 **Model : BS 1025**
Size : 32 Length x 2 Thickness x 7.25 Width Size : 35 Length x 2.25 Thickness x 6.95 Width



BLACKSMITH[®]
Precision In Every Task

An ISO 9001-2015 Certified Company



Mfg. By :
BLACKSMITH INDIA
Ahmedabad, Gujarat, INDIA.

☎ **98 98 906 906**

✉ : blacksmith.rk@yahoo.com

🌐 : www.blacksmithindia.com